

Product Technical Sheet

06 jul 2020 15:21

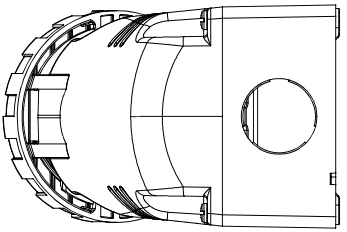
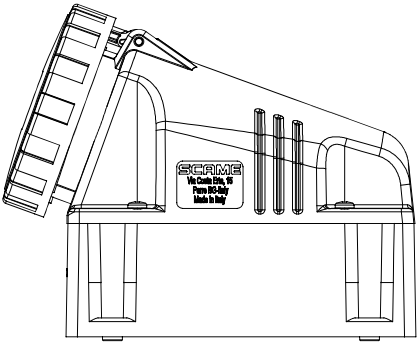
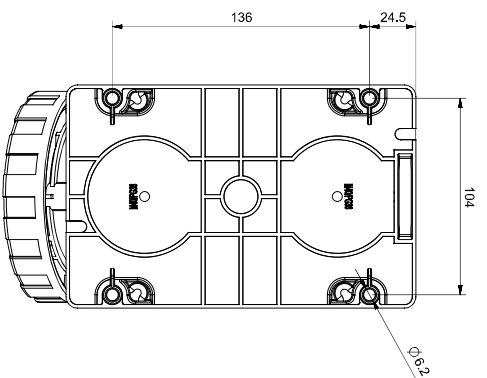
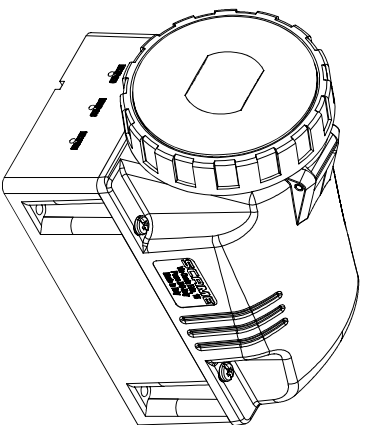
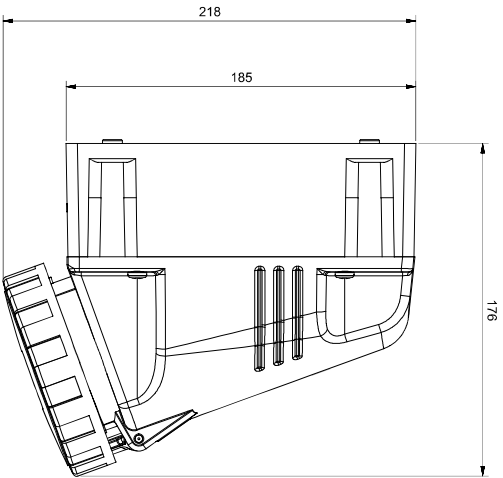
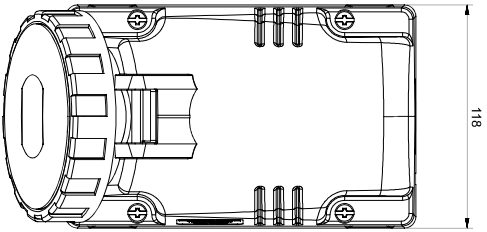
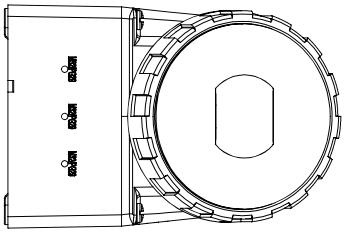


518.6356T BASE MURAL

63A 3P+T 6h 380-415V 50Hz 60Hz Bornes
conexión brida tornillo

Product Approvals

TECHDATA		STANDARDS AND LAWS	
Tipo de producto	BASE MURAL	EN 60309-1 (1999)	[European Standard] Plugs, socket-outlets and couplers for industrial purposes. Part 1: General requirements
Serie comercial	Serie OPTIMA-TOP	EN 60309-2 (1999)	[European Standard] Plugs, socket-outlets and couplers for industrial purposes. Part 2: Dimensional interchangeability requirements for pin and contact-tube accessories of harmonized configurations
Descripción sintética	BASE MURAL		
Tipo de instalación	MURAL		
Intensidad nominal	63A	EN 60309-1/A1 (2007)	[European Standard] Plugs, socket-outlets and couplers for industrial purposes. Part 1: General requirements
Polos	3P+T	EN 60309-2/A1 (2007)	[European Standard] Plugs, socket-outlets and couplers for industrial purposes. Part 2: Dimensional interchangeability requirements for pin and contact-tube accessories of harmonized configurations
Posición de hora	6h		
Tensión nominal (range)	250-400V		
Tensión nominal	380-415V	EN 60309-1/A2 (2012)	[European Standard] Plugs, socket-outlets and couplers for industrial purposes. Part 1: General requirements
Frecuencia nominal	60Hz	EN 60309-2/A2 (2012)	[European Standard] Plugs, socket-outlets and couplers for industrial purposes. Part 2: Dimensional interchangeability requirements for pin and contact-tube accessories of harmonized configurations
Frecuencia nominal	50Hz		
Color	ROJO	DIRECTIVE LOW VOLTAGE 2014/35 /UE	[European Directives] Low Voltage Directive
Grado de protección	Watertight		
Grado de protección IP	IP66/IP67/IP69		
Tipos de salidas disponibles	INCLINADA		
Bornes	Bornes conexión brida tornillo		
Salida del cable	M40X1,5		



At the end of this law,
we reserve the ownership
of this design may not
be used by third parties
to their parties or competitors

SCAME
S.p.A.
PARETE - (639mm)

Format: A2
Scale: 1:2
Model N°: 1000XXXX
Tolerances for linear and angular dimensions without
indication of specific tolerances: JS13 / UNI 2864-1:2010

DESCRIPTION
PRESA PARETE 3P+T IP66/IP67 63A

Drawn: SCAME
Date:
Approved:

CODE: 4004003
Sheet 1 / 1